



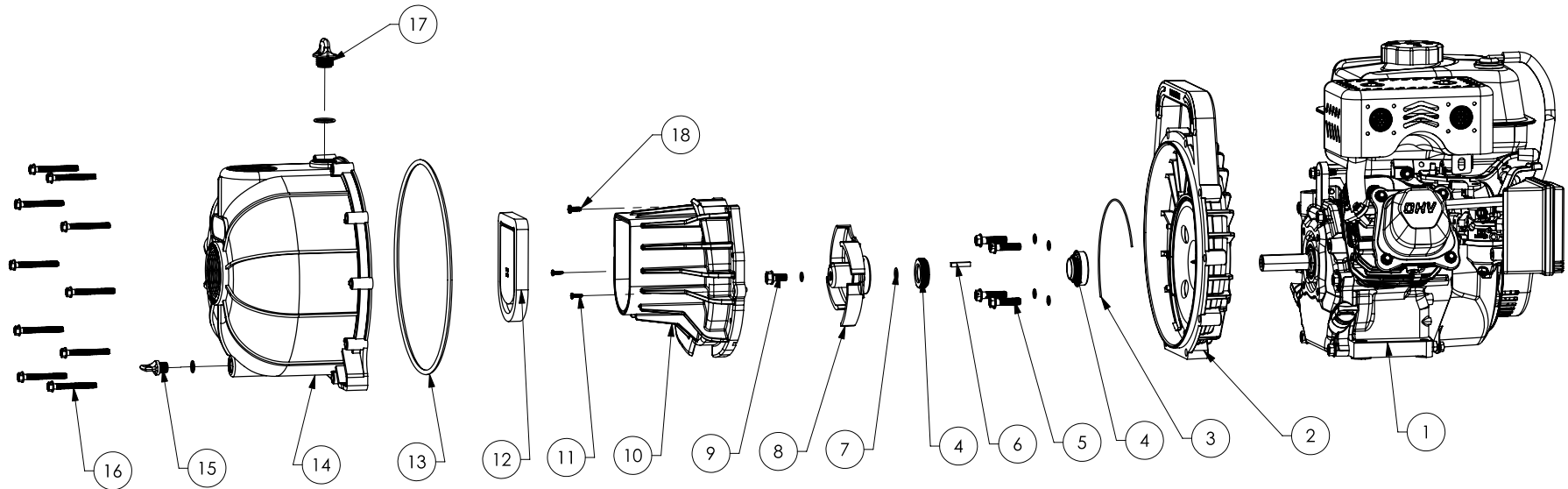
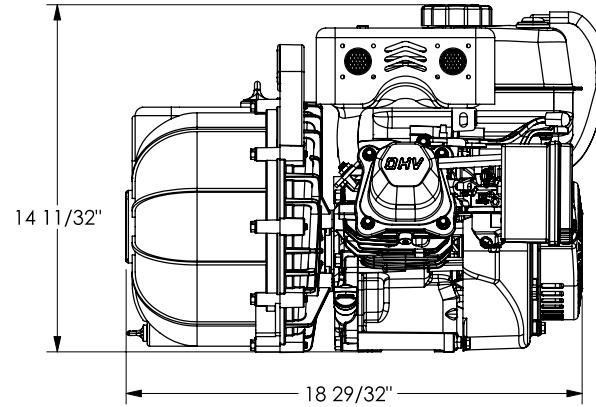
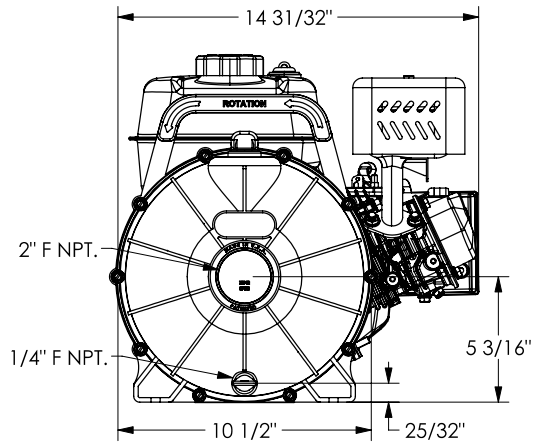
7/10/2019

2" Self-Priming Centrifugal Pump

Model: SEB2PL-E5.5

Price Code: P-58-12U4-E5.5

Driver: LCT MAXX Series 208cc





2" Self-Priming Centrifugal Pump

Model: SEB2PL-E5.5

Price Code: P-58-12U4-E5.5

Driver: LCT MAXX Series 208cc

NO.	DESCRIPTION	QTY	PART NO.
1	Gasoline Engine LCT MAXX Series 208cc	1	58-0644-LCT4
2	Bracket PET	1	58-0703-30B
3	O-Ring Segment EPDM	1	58-0754-72
4	Shaft Seal EPDM, SS 316, carbon/ceramic 3/4"	1	58-0714-12
5	Bracket Screw and O-Ring SS 5/16-24x1 1/4"	4	58-0715-12
6	Key SS 3/16" Square x 15/16" Long	1	58-0718-10
7	Shim SS 0.006"	As Req.	58-0778-11
	SS 0.015"		58-0778-12
	SS 0.030"		58-0778-13
8	Impeller PET 3 Vane, .535" Wide, ø5.5"	1	58-0704-30
9	Impeller Screw and O-ring SS 5/16-24x3/4"	1	58-0716-12
10	Volute Flat PET	1	58-0702-30
11	Volute Side Screw SS 6-CCx1/2"	2	58-0725-10
12	Check Valve EPDM	1	58-0705-72
13	Body O-Ring EPDM	1	58-0719-72
14	Body PET, black 2" F NPT.	1	58-1002-30B
15	Drain Plug and O-Ring EPDM	1	58-0723-32
16	Body Bolt SS 18-8 1/4-20x2.125"	10	58-1206-10
17	Filler Plug and O-Ring EPDM	1	58-0722-32B
18	Volute Top Screw SS 10-24x1-1/2"	1	58-0771-10